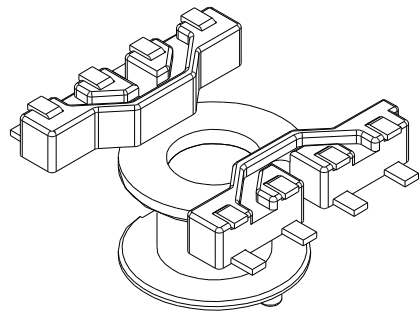
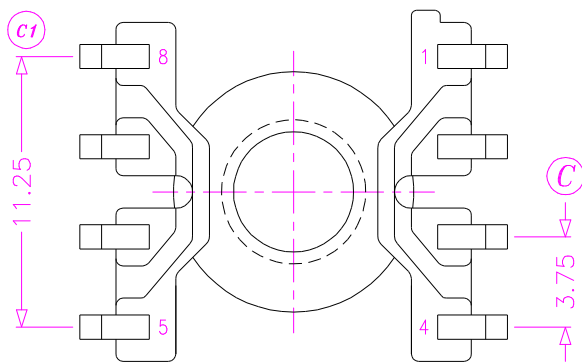


Terminal solder plating :  
Sn100%, 5~10 μm



TOLERANCE:

DECIMAL. X ±0.3  
.XX ±0.2

PIN PITCH ±0.1  
ROW PITCH ±0.3

CHECK

黄勇

SHEET OF

REV.

A

DRAWING

宋耀林

深圳中晟磁电有限公司  
Shenzhen CB Magnetics Co., Limited

TEL 0755-61124460

MATERIAL

Phenolic

FAX 0755-61124460

PIN MATERIAL

Phosphorus Bronze

UNIT m/m

PART NO

DG-SMD-RM5  
-8-1-PH

DATE

2015-3-12