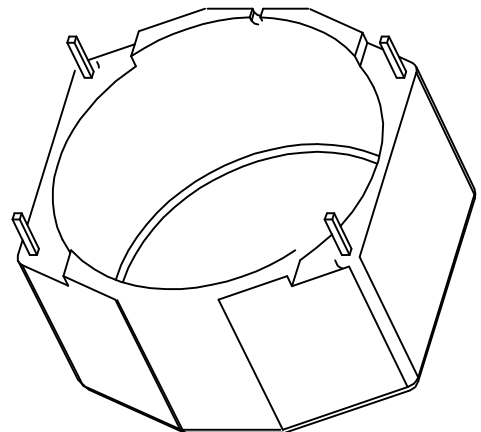
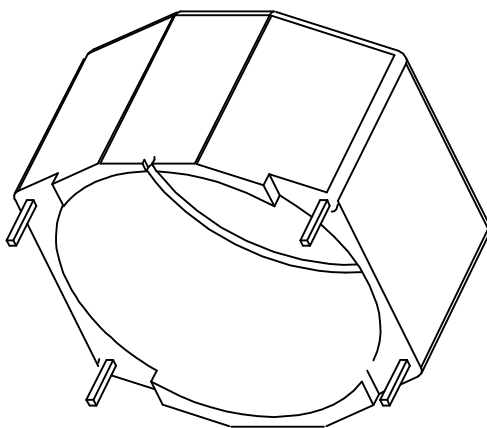
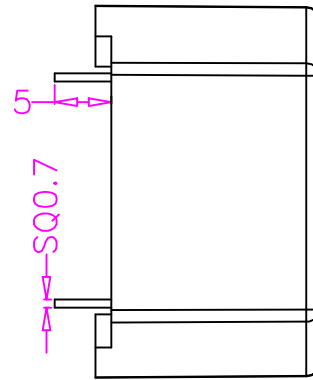
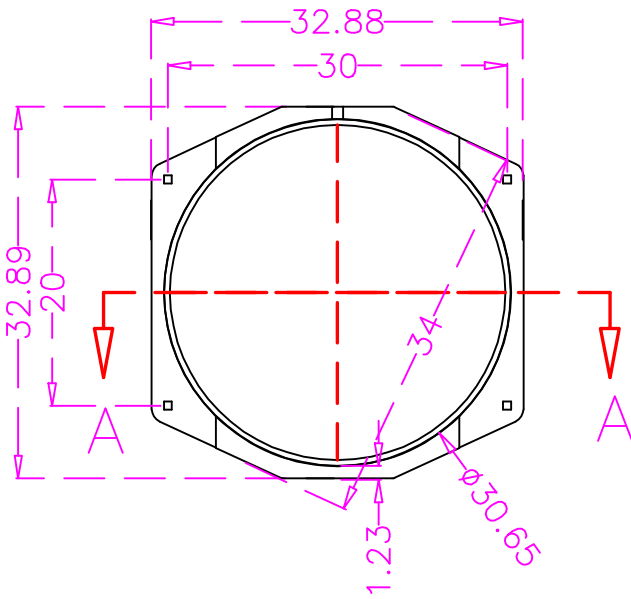


剖面
A-A



TOLERANCE:

PIN PITCH ± 0.1
ROW PITCH ± 0.3

DECIMAL .X ± 0.3
.XX ± 0.2

CHECK

黄勇

SHEET OF

REV.

DRAWING

宋耀林

深圳中晟磁电有限公司
Shenzhen CB Magnetics Co., Limited

TEL 0755-61124460

MODEL

HTC1208-04

FAX 0755-61124460

MATERIAL

FR50

UNIT

m/m

PART NO

DG1208-4

DATE

2015. 5. 6