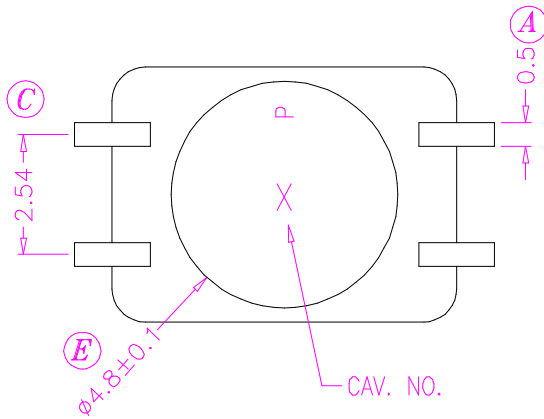
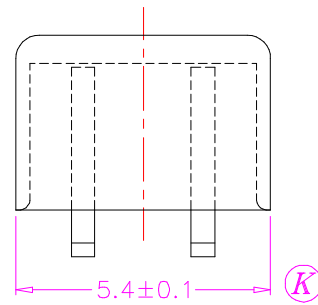
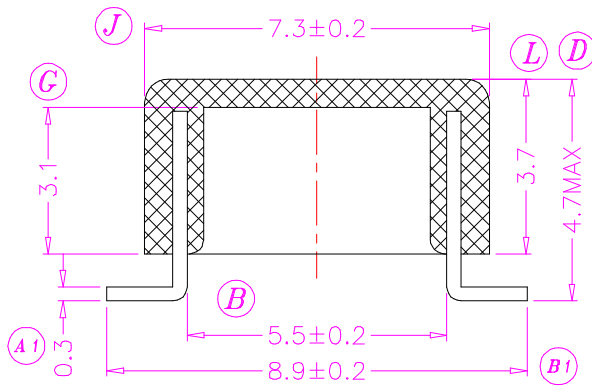


Recommended
PCB layout



TOLERANCE:		DECIMAL. X ±0.3 .XX ±0.2		CHECK	黄勇
PIN PITCH ±0.1				DRAWING	宋耀林
ROW PITCH ±0.3					
SHEET OF		REV.	A		
TEL	0755-61124460	MATERIAL	SMD BOBBIN 7.3*5.4*4.7		
FAX	0755-61124460	PIN MATERIAL	DAP AM113		
UNIT	m/m	PART NO	DG550-4	DATE	2014-3-6

深圳中晟磁电有限公司
Shenzhen CB Magnetics Co., Limited