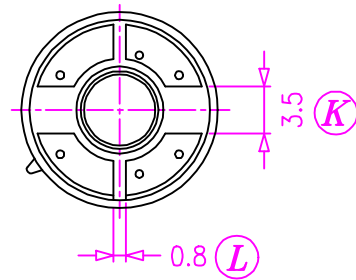
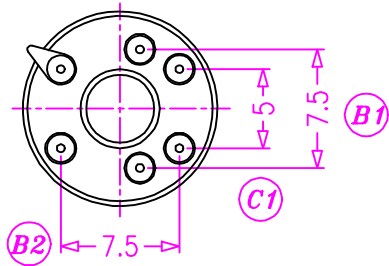
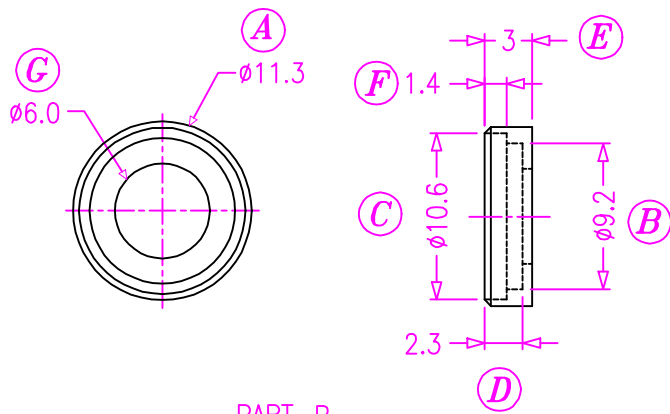


SEC: A-A

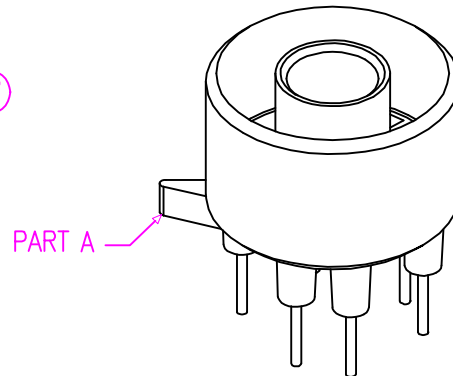
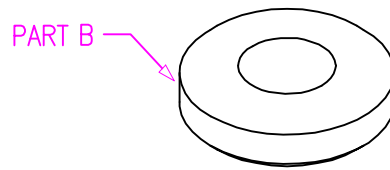


VIEW B

PART A



PART B



		TOLERANCE:		DECIMAL. X±0.3		CHECK	huang yong
		PIN PITCH ±0.1		.XX±0.2		DRAWING	song yao lin
		ROW PITCH ±0.3					
		SHEET OF		REV.			
深圳中晟磁电有限公司 Shenzhen CB Magnetics Co., Limited		TEL	0755-61124460	Material		PA66 (A3X2G7)	
		FAX	0755-61124460	Pin Material		CP WIRE	
		UNIT	M / M	PART NO	DG-C394-6-1	DATE	2015-6-12