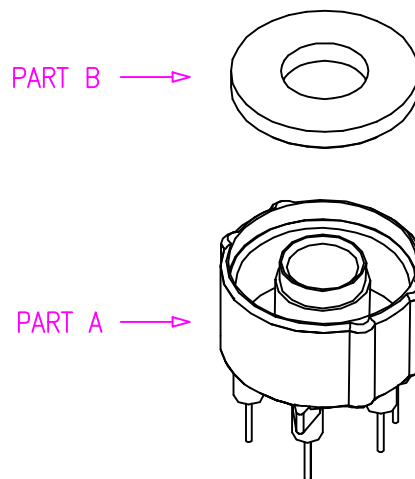
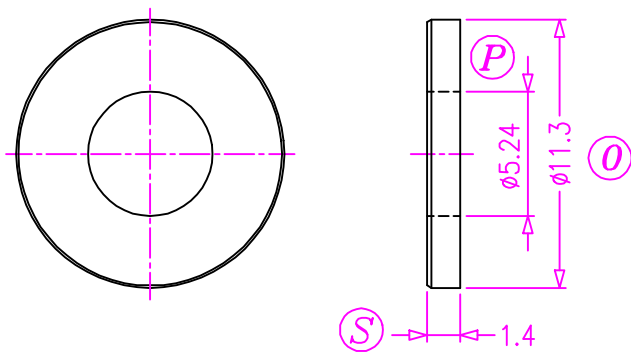


PART A



PART B

		TOLERANCE:		DECIMAL. X±0.3 .XX±0.2	CHECK	huang yong
		PIN PITCH ±0.1 ROW PITCH ±0.3			DRAWING	song yao lin
		SHEET OF		REV.		
深圳中晟磁电有限公司 Shenzhen CB Magnetics Co., Limited		TEL	0755-61124460	Material	PA66 (A3X2G7)	
		FAX	0755-61124460	Pin Material	CP WIRE	
		UNIT	M / M	PART NO	DG-C394-6	DATE