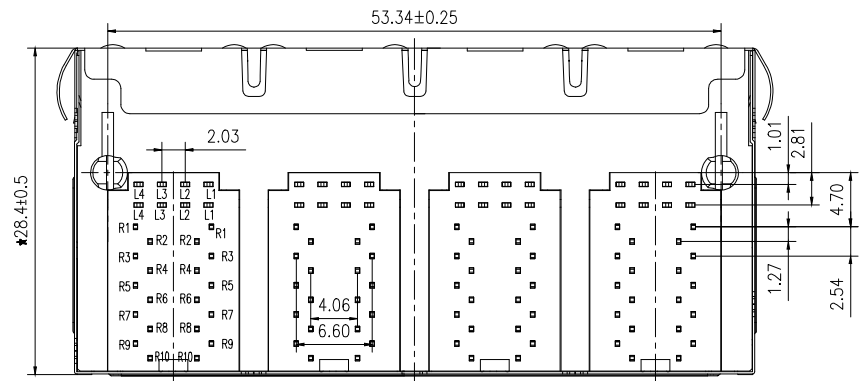
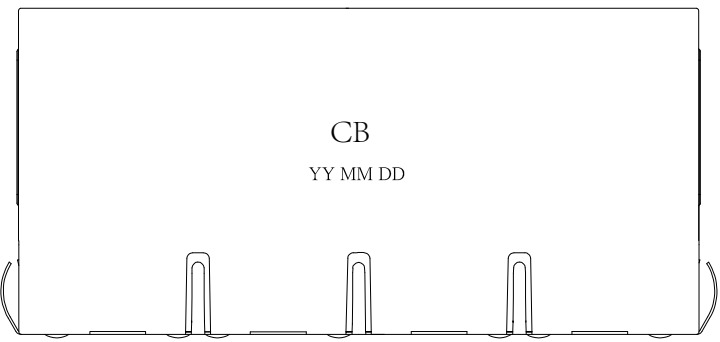
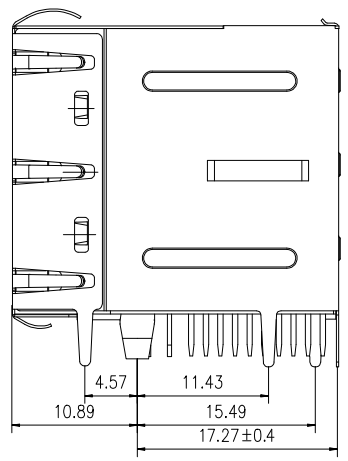
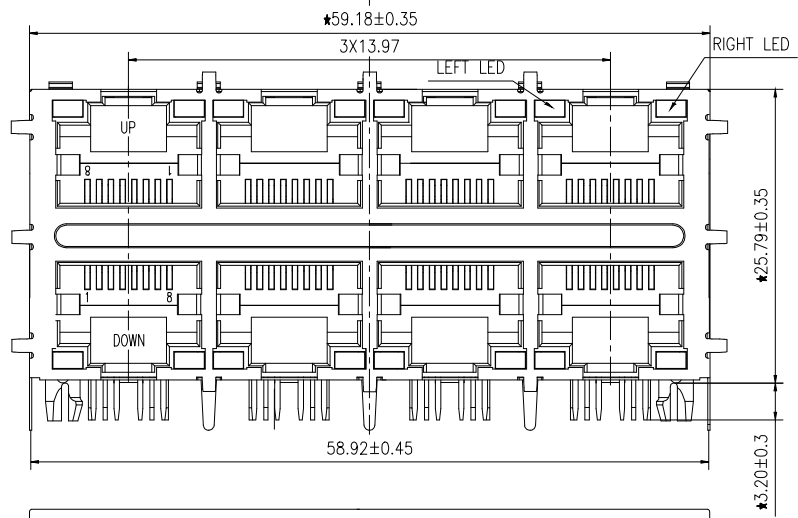



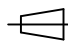
REV	ECN.NO:	BY	DATE
A0	NEW DWG	Steven	17.05.09



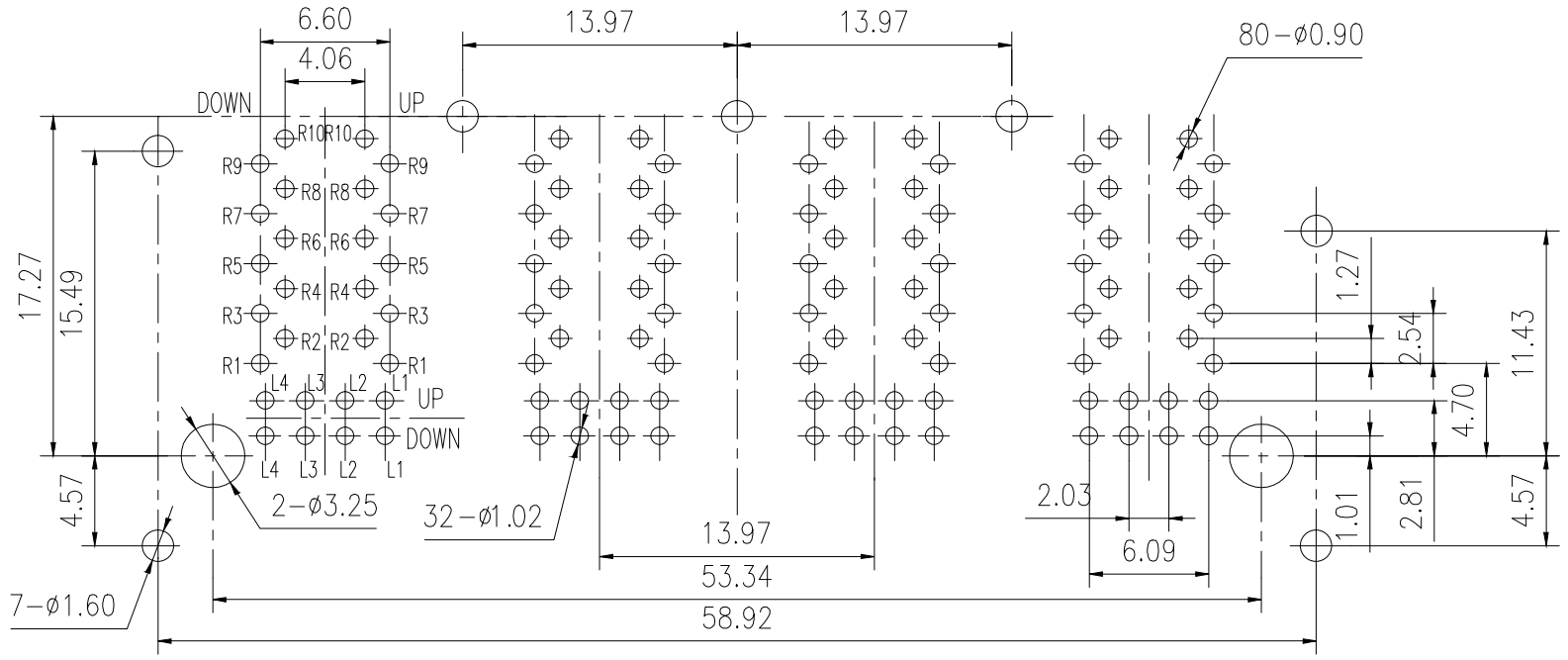
Material  
Housing : Thermoplastic PA46, Black.  
Flame Class: UL94 V-0  
Input Terminal :BRASS C2680 100u" MIN. Tin over 50u" Ni under-plating  
Front Shield: Stainless Steel  
Back Shield: C2680  
RJ Contact:PHOSPHOR BRONZE C5210,6U"selected Gold plating over 50u" MIN. Ni  
SEVEN GROUNDING LEGS PRE-SOLDERING



COMPLIANCE WITH THE REQUIREMENT  RoHS  HF  SONY00259  OTHER  
\* NO USING RESTRICTED AND BANNED SUBSTANCE

CUSTOMER DRAWING		CB Technology Industrial Co., Limited			
-TOLERANCES- UNLESS OTHERWISE SPECIFIED		 		TITLE: RJ TRANSFORMER 1000M 2X4 PORT 10P8 成品	
X.X ±0.35	X.X* ±3'	APPD:	DWG NO: RJ4124-1C2Q31-31R		
X.XX ±0.25	X.XX* ±2'	CHECK:	DATE	SCALE	UNIT
X.XXX ±0.15	X.XXX* ±1'	DRAW: Steven	2017.05.09	1:1	MM 1/4

REV	ECN.NO:	BY	DATE
A0	NEW DWG	Steven	17.05.09



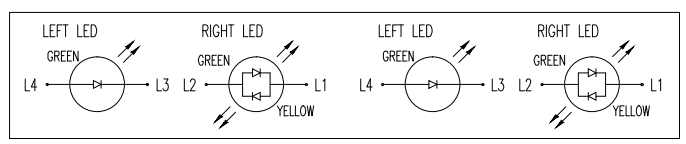
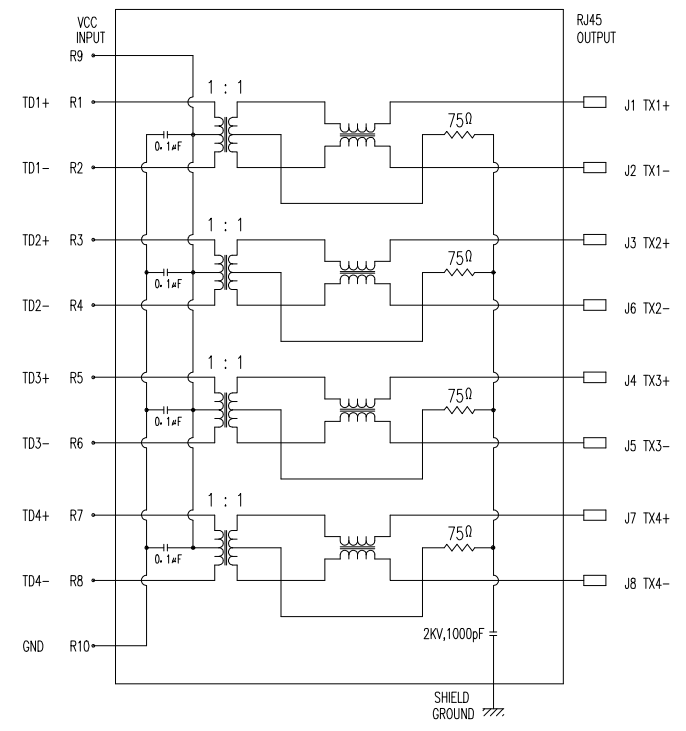
PCB BOARD LAYOUT

COMPLIANCE WITH THE REQUIREMENT  RoHS  HF  SONY00259  OTHER  
 ※ NO USING RESTRICTED AND BANNED SUBSTANCE

CUSTOMER DRAWING		CB Technology Industrial Co., Limited			
-TOLERANCES- UNLESS OTHERWISE SPECIFIED			TITLE: RJ TRANSFORMER 1000M 2X4 PORT 10P8 成品		
X.X ±0.35	X.X* ±3'	APPD:	DWG NO: RJ4124-1C2Q31-31R		
X.XX ±0.25	X.XX* ±2'	CHECK:	DATE	SCALE	UNIT
X.XXX ±0.15	X.XXX* ±1'	DRAW: Steven	2017.05.09	1:1	MM
			PAGE		
			2/4		

REV	ECN.NO:	BY	DATE
A0	NEW DWG	Steven	17.05.09

SCHEMATIC



Standard LED Color	LED Wavelength	Forward (V MAX)	Typical (V TYP)	Luminous Intensity
Green	560-580 nm	2.5V	2.1-2.2V	9-25 MCD
Yellow	580-610 nm	2.5V	2.1-2.2V	9-30 MCD

Feature:

- . LAN interface suitable for 10/100/1000Base-T applications
- . 2x4 RJ45 design saves on PCB real estate
- . Meets IEEE 802.3 specification
- . High performance for maximum EMC suppression
- . Operating temperature: -40°C to +85°C
- . Storage temperature:

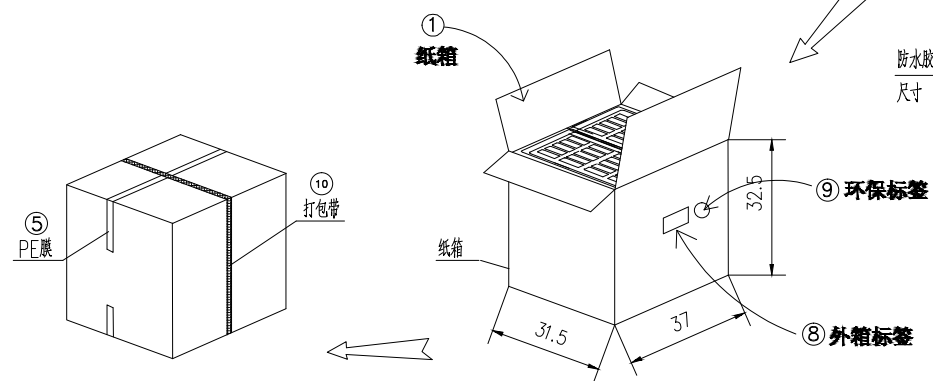
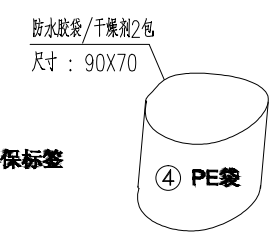
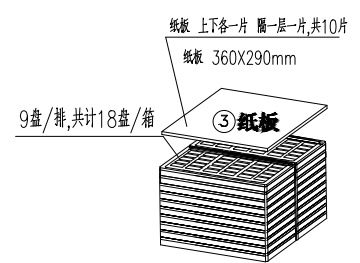
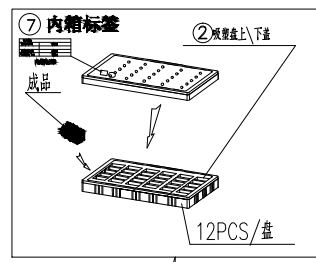
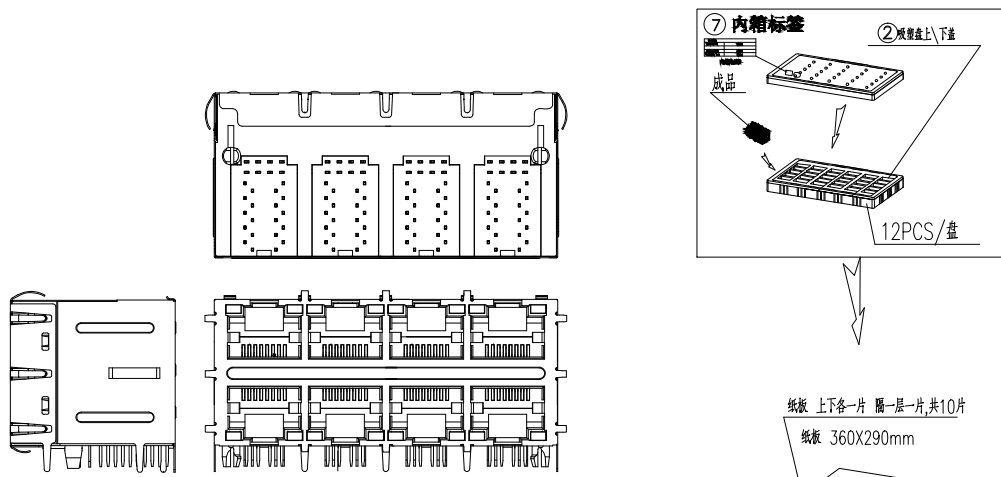
Electrical Specifications: (25°C)

- Turns Ratio:
  - P2-P1:J1-J2 = 1:1± 5%
  - P4-P3:J3-J6 = 1:1± 5%
  - P6-P5:J4-J5 = 1:1± 5%
  - P8-P7:J7-J8 = 1:1± 5%
- Insertion Loss:
  - @1~100 MHz : -1.0dB Max
- Return Loss:
  - @1~30MHz : -18dB Min
  - @30~60MHz : -16dB Min
  - @60~80MHz : -12dB Min
  - @80~100MHz : -10dB Min
- Common Mode Rejection:
  - @1~100 MHz: -30dB Min
- Crosstalk:
  - @1~100 MHz: -30dB Min
- OCL:
  - @100KHz, 0.1V, 8mADC : 350uH Min
- Hi-Pot : INPUT TO OUTPUT 1500VAC, 1mA, 60S

COMPLIANCE WITH THE REQUIREMENT  RoHS  HF  SONY00259  OTHER  
 ※ NO USING RESTRICTED AND BANNED SUBSTANCE

CUSTOMER DRAWING		CB Technology Industrial Co., Limited			
-TOLERANCES- UNLESS OTHERWISE SPECIFIED			TITLE: RJ TRANSFORMER 1000M 2X4 PORT 10P8 成品		
X.X ±0.35	X.X* ±3'	APPD:	DWG NO: RJ4124-1C2Q31-31R		
X.XX ±0.25	X.XX* ±2'	CHECK:	DATE	SCALE	UNIT
X.XXX ±0.15	X.XXX* ±1'	DRAW: Steven	2017.05.09	1:1	MM
					PAGE 3/4

REV	ECN.NO:	BY	DATE
A0	NEW DWG	Steven	17.05.09



# 产品示意图

NO.	包材名称	包材料号	用量	适用型别	备注
①	纸箱		1		365*300*320mm
②	吸塑盘(套)		18		
③	纸板		10		
④	PE袋		1		90X70mm
⑤	PE膜				
⑥	干燥剂		2		
⑦	内箱标签		18		业务提供
⑧	外箱标签		1		业务提供
⑨	环保标签		18		
⑩	打包带				

Customer P/N	请填写
Quantity(箱)	请填写
Production Date	请填写

Customer P/N	请填写
Quantity(箱)	请填写
Delivery Date	请空白
K/F:	请填写

⑦ 内箱标签  
50X30 mm

⑧ 外箱标签  
50X30 mm

包装规格	/		
包装容量	个/盘	12	
	盘/箱	18	
	个/眼	216	
重量 (Kg)	净重 N. W.		
	毛重 G. W.		

CUSTOMER DRAWING		CB Technology Industrial Co., Limited			
-TOLERANCES- UNLESS OTHERWISE SPECIFIED				TITLE: RJ TRANSFORMER 1000M 2X4 PORT 10P8 成品包装图	
X.X ±0.35	X.X* ±3'	APPD:	DWG NO: RJ4124-1C2Q31-31R		
X.XX ±0.25	X.XX* ±2'	CHECK:	DATE	SCALE	UNIT
X.XXX ±0.15	X.XXX* ±1'	DRAW: Steven	2017.05.09	1:1	MM
				PAGE	4/4

COMPLIANCE WITH THE REQUIREMENT  RoHS  HF  SONY00259  OTHER  
 ※ NO USING RESTRICTED AND BANNED SUBSTANCE