

REV	ECN.NO:	BY	DATE
A0	NEW DWG	Steven	15.01.05

NOTES:

1. MATERIAL:

1.1 HOUSING: THERMOPLASTIC, UL94 V-0;

COLOR: BLACK

1.2 RJ CONTACT: COPPER ALLOY, T=0.30±0.02mm.

1.3 SHELL: COPPER ALLOY, T=0.20±0.02mm.

2. FINISH:

2.1 CONTACT:

GOLD PLATING(30u") ON CONTACT AREA.

2.54um [100u"] MIN. MATTE-TIN PLATING ON SOLDER TAIL AREA.

1.27um [50u"] MIN. NICKEL UNDERPLATING OVERALL.

2.2 SHELL:

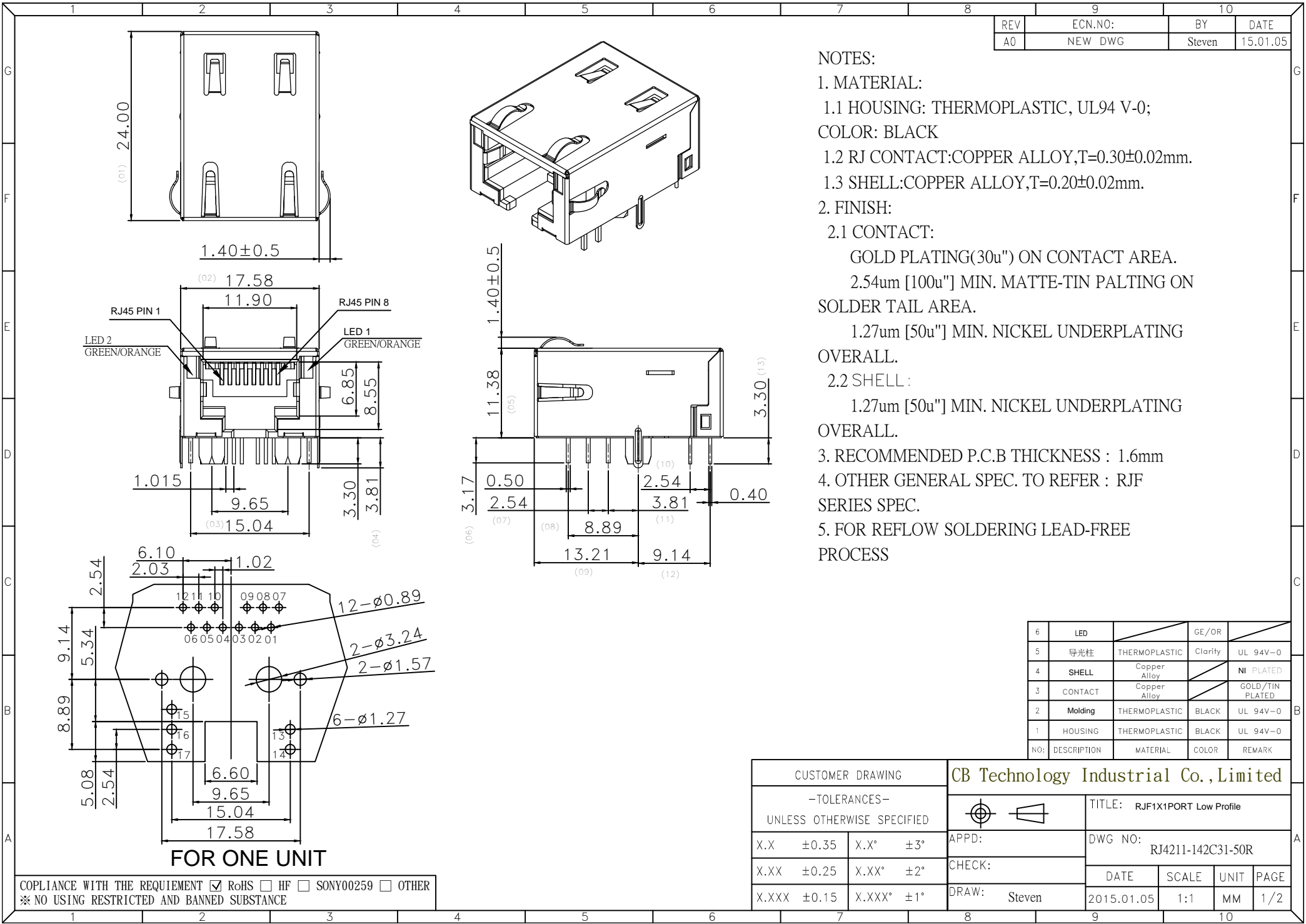
1.27um [50u"] MIN. NICKEL UNDERPLATING OVERALL.

3. RECOMMENDED P.C.B THICKNESS : 1.6mm

4. OTHER GENERAL SPEC. TO REFER : RJF SERIES SPEC.



5. FOR REFLOW SOLDERING LEAD-FREE PROCESS

6	LED		GE/OR	
5	导光柱	THERMOPLASTIC	Clarity	UL 94V-0
4	SHELL	Copper Alloy		NI PLATED
3	CONTACT	Copper Alloy		GOLD/TIN PLATED
2	Molding	THERMOPLASTIC	BLACK	UL 94V-0
1	HOUSING	THERMOPLASTIC	BLACK	UL 94V-0
NO:	DESCRIPTION	MATERIAL	COLOR	REMARK



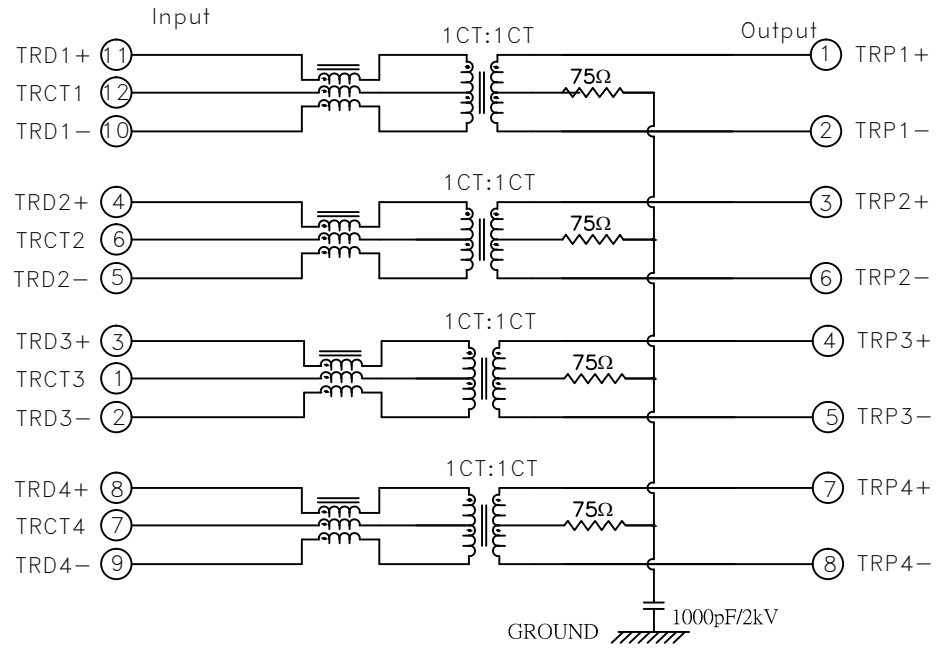
FOR ONE UNIT

COPLIANCE WITH THE REQUIEMENT RoHS HF SONY00259 OTHER
 ※ NO USING RESTRICTED AND BANNED SUBSTANCE

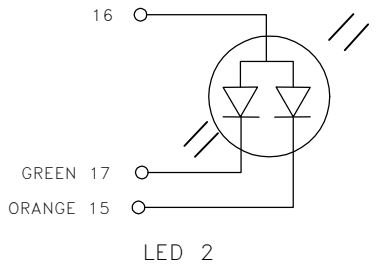
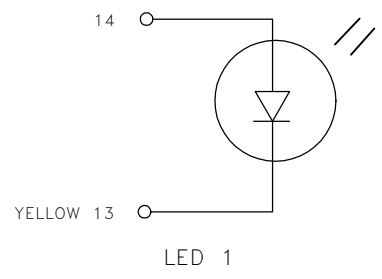
CUSTOMER DRAWING		CB Technology Industrial Co., Limited			
-TOLERANCES- UNLESS OTHERWISE SPECIFIED		 		TITLE: RJF1X1PORT Low Profile	
X.X ±0.35	X.X° ±3°	APPD:	DWG NO: RJ4211-142C31-50R		
X.XX ±0.25	X.XX° ±2°	CHECK:	DATE	SCALE	UNIT
X.XXX ±0.15	X.XXX° ±1°	DRAW: Steven	2015.01.05	1:1	MM
			PAGE		
			1/2		

REV	ECN.NO:	BY	DATE
A0	NEW DWG	Steven	15.01.05

SCHEMATIC



LED CONFIGURATION



COPLIANCE WITH THE REQUIEMENT RoHS HF SONY00259 OTHER
 ※ NO USING RESTRICTED AND BANNED SUBSTANCE

ELECTRICAL CHARACTERISTICS

- TEST NOTES(25±5)
- TR:(100kHz,100mV)
PINS:(P8-P9):(J1-J2)=1:1±3%;(P2-P3):(J3-J6)=1:1±3%
PINS:(P4-P5):(J4-J5)=1:1±3%;(P10-P11):(J7-J8)=1:1±3%
 - LX:(100kHz,100mV,8mA DC Bias)
PINS:(P8-P9),(P2-P3),(P4-P5),(P10-P11)=350uH MINIMUM
 - DCR:
PINS:(J1-J2),(J3-J6),(J4-J5),(J7-J8)=1.2 OHMS MAXIMUM
 - HIPOT:
PINS:(P8-P9)TO(J1-J2),(P2-P3)TO(J3-J6)=1500Vrms
PINS:(P4-P5)TO(J3-J6),(P10-P11)TO(J7-J8)=1500Vrms
 - INSERTION LOSS:
-0.8dB MAXIMUM AT 1MHz-100MHz
-1.2dB MAXIMUM AT 100MHz-120MHz
 - RETURN LOSS
-18dB MINIMUM AT 0.5MHz TO 40MHz
-12+20log(f/80MHz)dB MINIMUM AT 40MHz TO 100MHz
 - CROSS TALK:
-33+20log(f/100MHz)dB MINIMUM AT 0.1MHz TO 100MHz
 - COMMON TO DIFFERENTIAL MODE REJECTION
-30dB MINIMUM AT 0.3MHz TO 100MHz
 - COMMON TO COMMON MODE REJECTION
-30dB MINIMUM AT 0.3MHz TO 100MHz
 - LED1&LED2
VF(FORWARD VOLTAGE) IF=20mA GREEN2.2V TYP,ORANGE 2.1V TYP
D(DOMINANT WAVELENGTH) IF=20mA,GREEN 570nm TYP,ORANGE 607nm TYP

CUSTOMER DRAWING		CB Technology Industrial Co., Limited			
-TOLERANCES- UNLESS OTHERWISE SPECIFIED				TITLE: RJF1X1PORT Low Profile	
X.X ±0.35	X.X° ±3°	APPD:	DWG NO: RJ4211-142C31-50R		
X.XX ±0.25	X.XX° ±2°	CHECK:	DATE	SCALE	UNIT
X.XXX ±0.15	X.XXX° ±1°	DRAW: Steven	2015.01.05	1:1	MM
			PAGE		
			2/2		