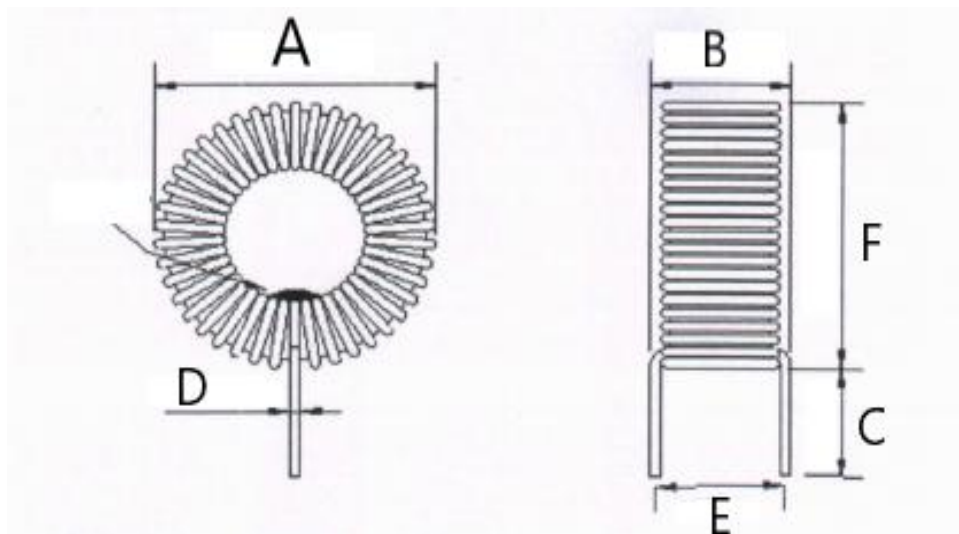
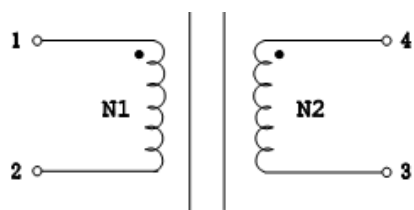


# 1.OUTLINE DIMENSION: (UNIT: mm)/外形尺寸 (Unit: mm)



# 2.WINDING CONSTRUCTION电原理图




• START

### NOTE:

1. 成品需含浸 Products need to make tin Solder
2. 排线需整齐均匀 The wire should be neat and even

A	B	C	D	E	F
10MAX	6MAX	6±2	0.3±0.1	5REF	10MAX

				Customer Name:	
	PREPARE BY	APPROVED BY	REV:	CUSTOMER P/N:	
	Keda Peng	Jason Xin	A1	CB P/N:	DG-S031125-100uH
				DATE:	2022/4/15
				Page:	1/1