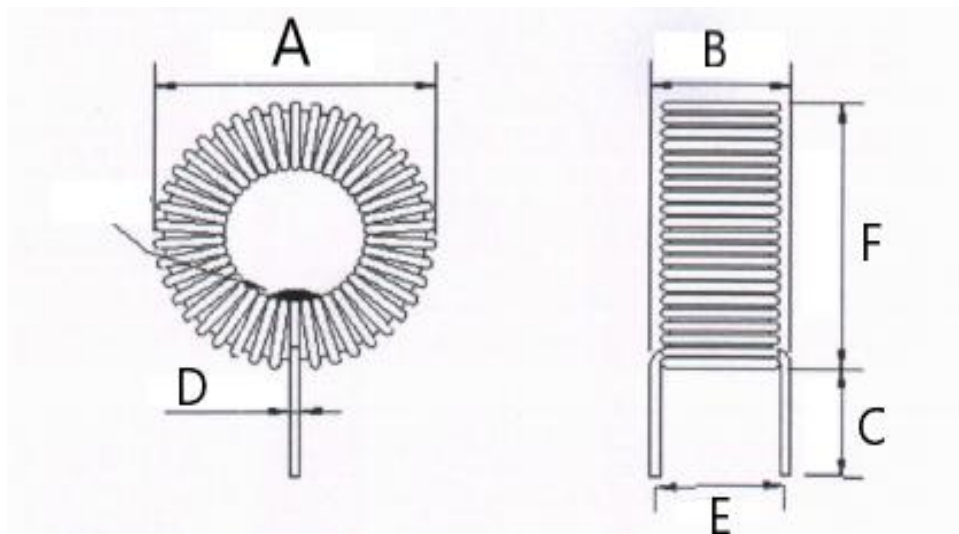
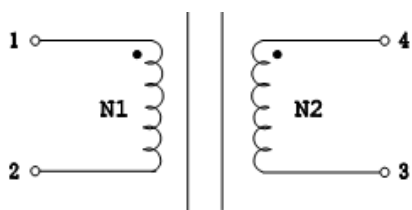


1.OUTLINE DIMENSION: (UNIT: mm)/外形尺寸 (Unit: mm)



2.WINDING CONSTRUCTION电原理图



● START


NOTE:

1. 成品需含锡 Products need to make tin Solder
2. 排线需整齐均匀

The wire should be neat and even



A	B	C	D	E	F
12MAX	6MAX	6±2	0.4±0.1	5REF	12MAX

				Customer Name:	
	PREPARE BY	APPROVED BY	REV:	CUSTOMER P/N:	
	Keda Peng	Jason Xin	A1	CB P/N:	DG-S097125-80uH
				DATE:	2022/4/15
				Page:	1/1