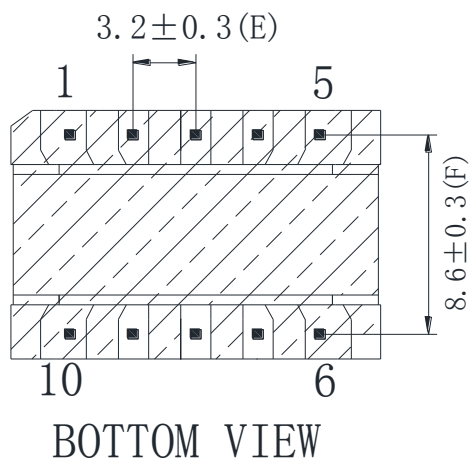
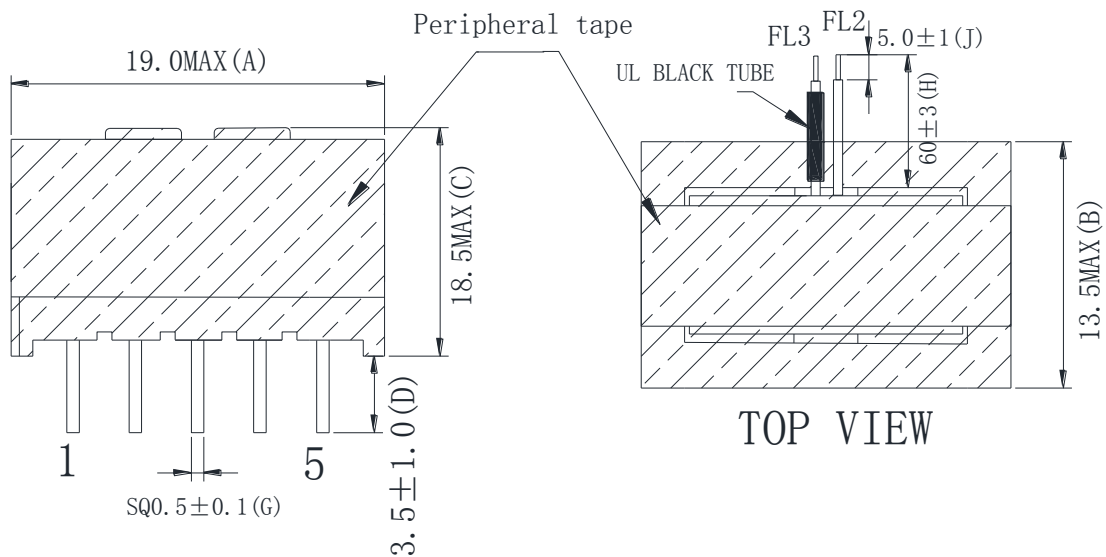


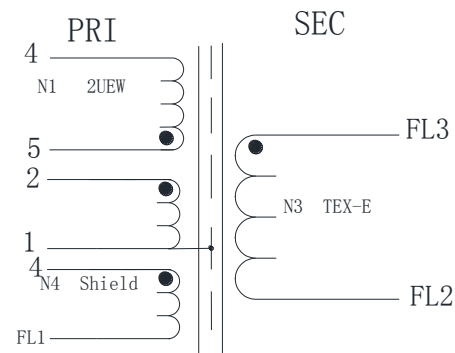
SPECIFICATION FOR APPROVAL

CUST		CUST P/N		OUR P/N	DG-T-ATQ1711-01
DESCRIPTION	ATQ1711 TRANSFORMER	Q' TY	70 PCS	DATE	2022-6-6

(1) PHYSICAL DIMENSIONS: (UNIT:mm)



(2) SCHEMATIC DRAWING:



(3) ELECTRIC CHARACTERISTIC:

1. L (5-4) : 236uH ± 5% @60KHZ/0.1V
2. LK (5-4) : 7.45uH MAX OTHER PINS SHORTED @60KHZ/0.1V
3. T/R (5-4) : (2-1) : (FL3-FL2) = 28:7:3 ± 5% @20KHZ/1.0V
4. HIPOT: PRI TO SEC 3000VAC/5mA/5SEC

APPROVED BY



CHECKED BY

MADE BY

DemiDu

CB-QF-090-A