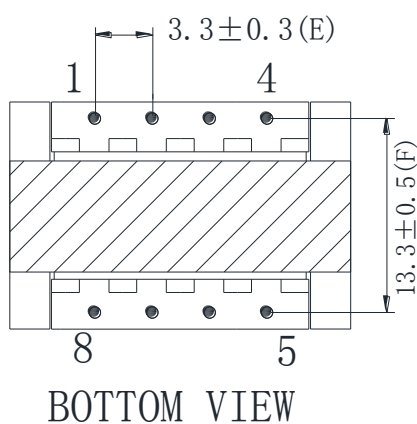
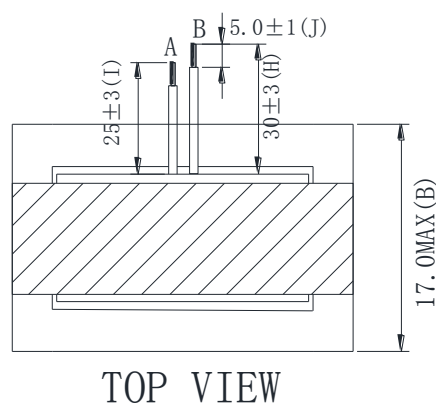
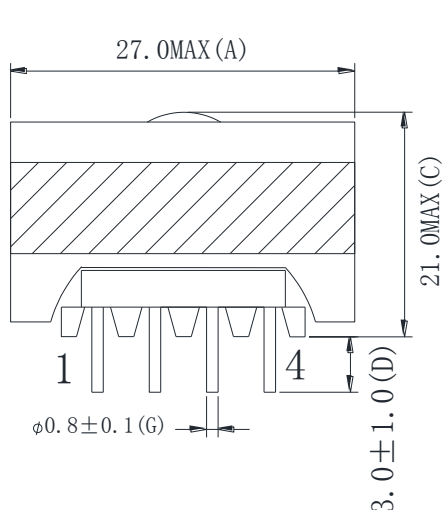


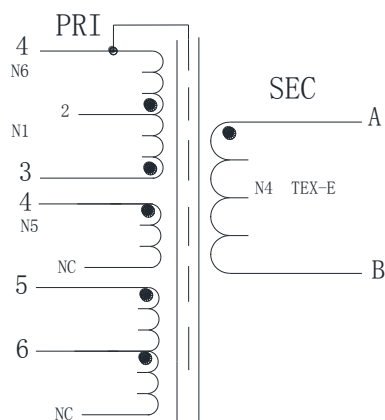
SPECIFICATION FOR APPROVAL

CUST		CUST P/N		OUR P/N	DG-T-ATQ2516
DESCRIPTION	ATQ2516 TRANSFORMER	Q' TY	20 PCS	DATE	2021-12-27

(1) PHYSICAL DIMENSIONS: (UNIT: mm)



(2) SCHEMATIC DRAWING:



(3) ELECTRIC CHARACTERISTIC:

1. L (3-4) : 520uH ± 5% @60KHZ/0.1V
2. LK (5-6) : 12uH MAX OTHER PINS SHORTED @60KHZ/0.1V
3. T/R (3-4) : (5-6) : (A-B) = 36:10:5 ± 5% @20KHZ/1.0V
4. HIPOT: PRI TO SEC 3000VAC/5mA/5SEC

APPROVED BY



CHECKED BY

MADE BY

DemiDu

CB-QF-090-A