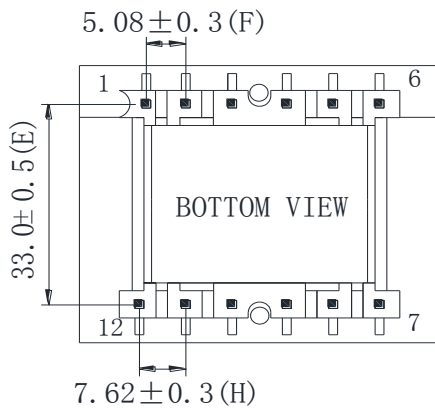
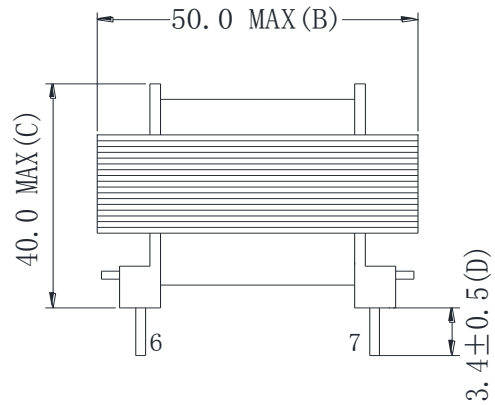
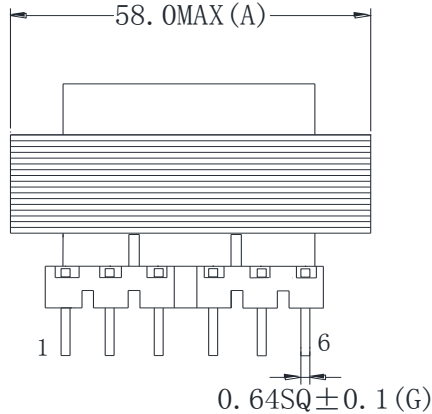


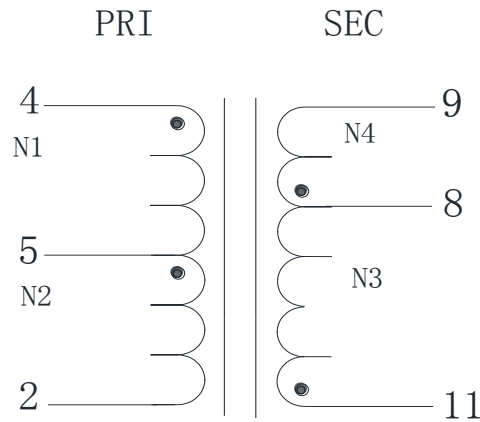
SPECIFICATION FOR APPROVAL

CUST		CUST P/N		OUR P/N	DG-T-EI5719
DESCRIPTION	EI57*19 TRANSFORMER	Q' TY	3 PCS	DATE	2022-3-8

(1) PHYSICAL DIMENSIONS: (UNIT:mm)



(2) SCHEMATIC DRAWING:



(3) ELECTRIC CHARACTERISTIC:

1. L (2-4) : 4.25mH MIN@50HZ/1.0V

L (11-8) : 4.25mH MIN@50HZ/1.0V L (11-9) : 8.0mH MIN@50HZ/1.0V

2. DCR (2-4) : $88m\Omega \pm 20\%$ @25°C, (11-9) : $135m\Omega \pm 20\%$ @25°C

3. HIPOT: WINDING TO CORE 1000VAC/1mA/60SEC

APPROVED BY	CHECKED BY	MADE BY	DemiDu
-------------	------------	---------	--------