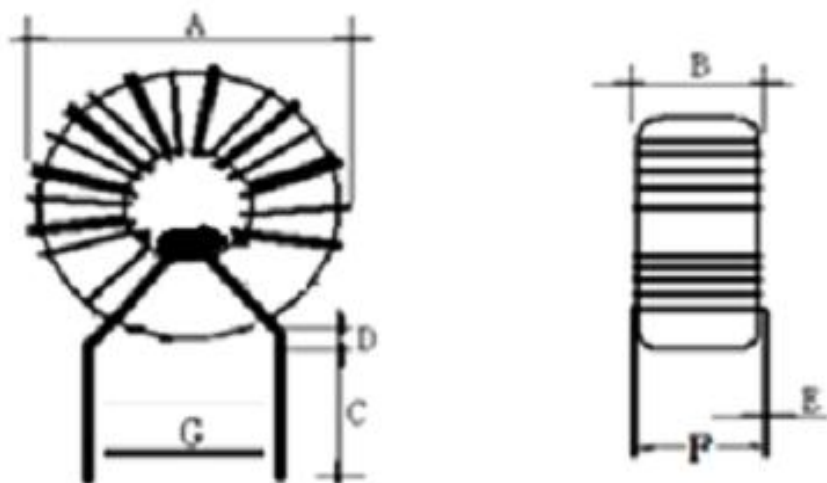
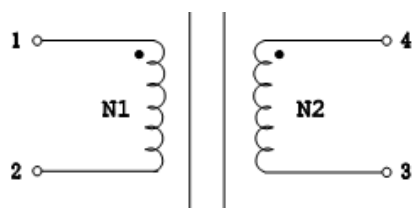


# 1.OUTLINE DIMENSION: (UNIT: mm)/外形尺寸 (Unit: mm)



## 2.WINDING CONSTRUCTION电原理图



• START


### NOTE:

1. 成品需含浸 Products need to make tin Solder
2. 排线需整齐均匀，不可交叉  
The wire should be neat and even, not cross



G	4REF
H	

<b>A</b>	<b>B</b>	<b>C</b>	<b>D</b>	<b>E</b>	<b>F</b>
9MAX	4.5MAX	6±2	1.0MAX	0.3±0.1	3REF

				<b>Customer Name:</b>	
	<b>PREPARE BY</b>	<b>APPROVED BY</b>	<b>REV:</b>	<b>CUSTOMER P/N:</b>	
	Keda Peng	Jason Xin	A1	<b>CB P/N:</b>	DG-T6X3x2-10uH
				<b>DATE:</b>	2022/4/15
				<b>Page:</b>	1/1