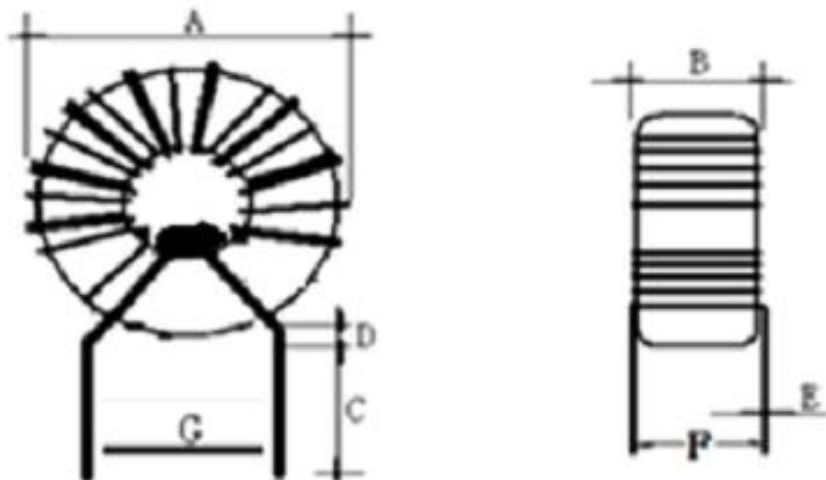
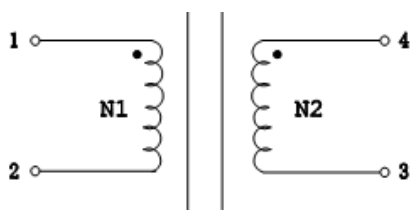


1.OUTLINE DIMENSION: (UNIT: mm)/外形尺寸 (Unit: mm)



2.WINDING CONSTRUCTION电原理图




NOTE:

1. 成品需管浸 Products need to make tin Solder
2. 排线需整齐均匀，不可交叉
The wire should be neat and even, not cross

G	4REF
H	

A	B	C	D	E	F
11MAX	6MAX	6±2	1.0MAX	0.3±0.1	4REF

				Customer Name:	
	PREPARE BY	APPROVED BY	REV:	CUSTOMER P/N:	
	Keda Peng	Jason Xin	A1	CB P/N:	DG-T6X4X3-560uH
				DATE:	2022/4/15
				Page:	1/1