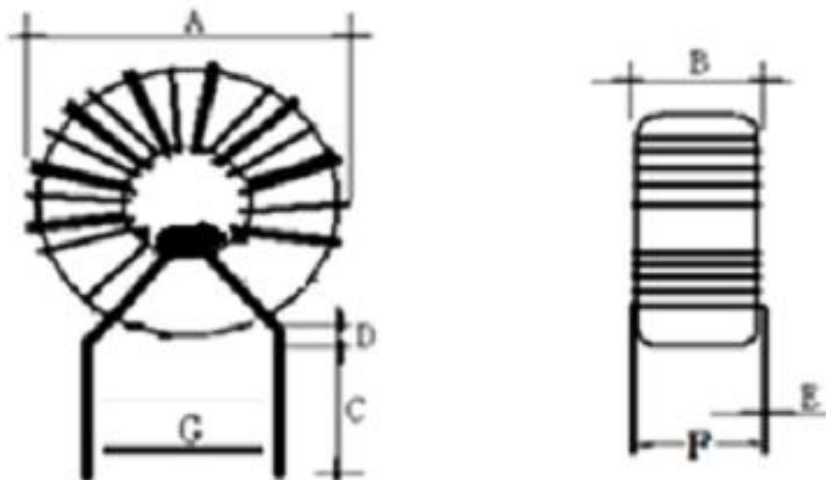
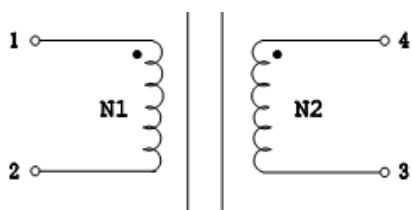


# 1.OUTLINE DIMENSION: (UNIT: mm)/外形尺寸 (Unit: mm)



## 2.WINDING CONSTRUCTION电原理图




• START

### NOTE:

- 成品需含浸 Products need to make tin Solder
- 排线需整齐均匀，不可交叉  
The wire should be neat and even, not cross

G	5REF
H	

<b>A</b>	<b>B</b>	<b>C</b>	<b>D</b>	<b>E</b>	<b>F</b>
12MAX	6MAX	6±2	1.0MAX	0.4±0.1	5REF

				<b>Customer Name:</b>	
	<b>PREPARE BY</b>	<b>APPROVED BY</b>	<b>REV:</b>	<b>CUSTOMER P/N:</b>	
	Keda Peng	Jason Xin	A1	<b>CB P/N:</b>	DG-T9X5X3-70uH
				<b>DATE:</b>	2022/4/15
				<b>Page:</b>	1/1