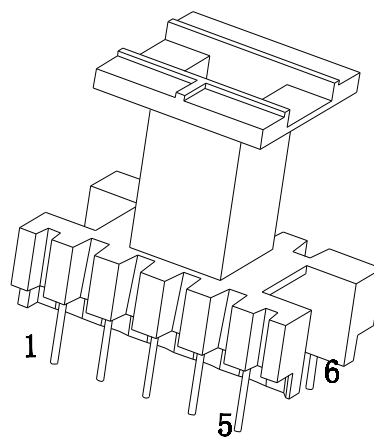


A-A Section



TOLERANCE: PIN PITCH ± 0.1 ROW PITCH ± 0.3		DECIMAL. X ± 0.3 .XX ± 0.2	CHECK	黄勇
SHEET OF		REV.	A	DRAWING
TEL 0755-61124460		MATERIAL	PHENOLIC	
FAX 0755-61124460		PIN MATERIAL	CP WIRE	
UNIT	M/M	PART NO	DG-EF20V-10 -1-PH	DATE 2020-7-31

深圳中晟磁电有限公司
Shenzhen CB Magnetics Co., Limited

宋耀林